

# Suntech GS

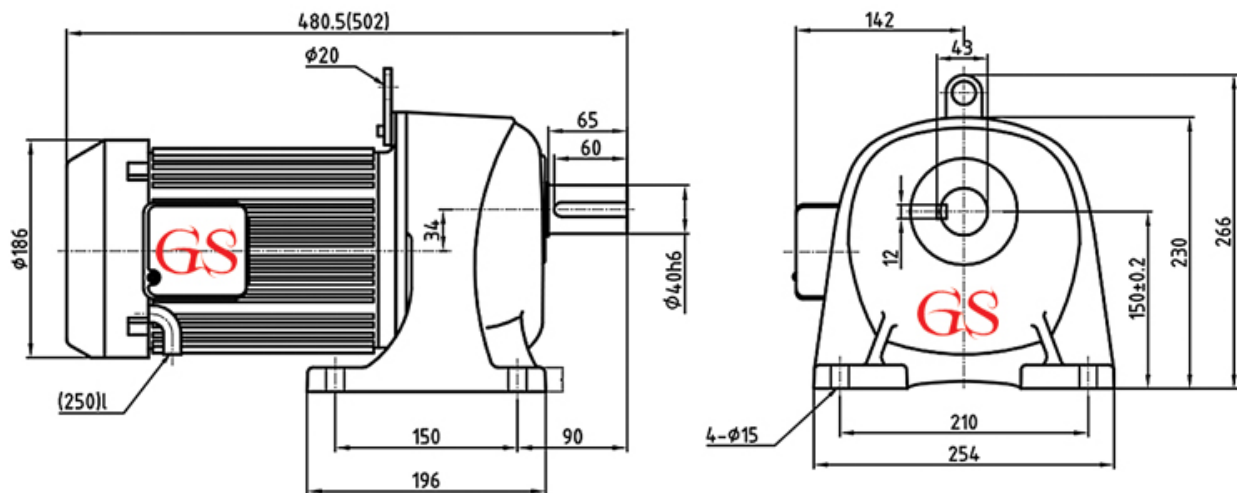


## MODEL CODE

**GS - E - 40 - 2200 - S - 1:15**

GS MODEL  
 E HORIZONTAL TYPE  
 40 OUTPUT SHAFT  
 2200 WATTS  
 S 220/380V 3PHASE  
 1:15 RATIO

## Outline dimensions



## Product information

Product name	SUNTECH GS E 40 2200 S 1:15	
Specifications	Output shaft diameter Reduction ratio (actual reduction ratio) Motor type Motor capacity Voltage/frequency Rough weight Fullload current	40 mm 1/15 With Outdoor Motor 3-phase 2.2 kW ( 3HP ) 220/380V / 50Hz 40 kg 8.9A/5.5A
Performance values	Output speed Output shaft allowable torque	100 rpm 200 N•m ( 20.4 kgf•m ) /50Hz

## Wiring diagram

