

Specifications

Output Power HP (kW)	1.5 (1.1)
Phase	3 Phase
Pole	4 Pole
Frame Number	90S

Degrees of Protection	IP 55
Enclosure Construction	Totally-enclosed Fan-cooled
Thermal Class	Class F (155 °C)

Alignment	Horizontal
Frame Material	Aluminium

Power Transmission	Direct-couple or Belt driven
Direction of Rotation	Counterclockwise (CCW) viewed from shaft-end side

Connection Type	Terminal Block (6 Leads)
Coating Colour	Munsell N-7 (Light gray)
Conformed Standard	IEC 60034-1, JEC-2137-2000

Voltage & Frequency	220/380~415V 50Hz 220/440V 60Hz
---------------------	------------------------------------

* The perpendicular variation of tolerance for the shaft center is $\begin{matrix} 0 \\ -0.5 \end{matrix}$

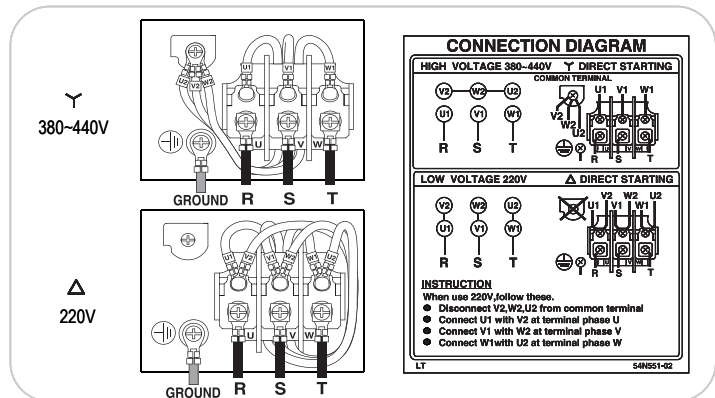
Dimensions (mm)

Motor													
A	B	C*	D	E	F	G	H	L	M	N	X	XB	Z
139	103.5	90	172	70	50	4	164.5	295	168	125	7	56	10

Terminal Box					Shaft End								
KA	KG	KP	KD	KC	Q	QK	R	S	T	U	W	ST	SD
29	188	216.5	PF 3/4	13~17	50	40	156	24 j6	7	4	8	M8	16

Bearing No.		Approximated Weight (kg)	Approximated Packing Dimensions (LxWxH)	Gross Weight (kg)
Drive End	Opposite			
6205ZZ	6205ZZ	13.1	343 x 218 x 248	14.3

Connection & Connection Diagram



Circumstance Conditions

Ambient Temperature	-20 ~ +40°C
Ambient Humidity	95% RH or less
Operating Altitude	Less than 1,000m above sea level
Environment	No bursting / erosive gas or vapor

Motor Characteristics

Hz	V	50% Load			75% Load			100% Load			Torque(%)		Is (A)	Moment of Inertia J (kg-m) ²	
		(A)	Eff(%)	PF(%)	(A)	Eff(%)	PF(%)	(A)	Eff(%)	PF(%)	Speed (r/min)	Torque (N-m)			Ts
50	220	3.45	71.0	58.0	4.10	74.0	72.0	4.85	75.0	79.5	1420	7.57	324	341	0.00288
	380	1.95	70.0	62.0	2.34	73.0	74.0	2.80	76.0	81.0	1420	7.57	328	340	
	415	2.15	68.0	53.0	2.40	74.0	67.0	2.85	75.0	76.0	1430	7.51	404	420	
60	220	2.90	72.0	70.0	3.60	76.0	80.0	4.50	76.0	87.0	1700	6.32	287	300	24.4
	440	1.80	68.0	58.0	2.10	74.0	71.0	2.45	76.0	80.0	1730	6.21	223	431	